

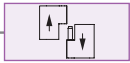
SIDE HINGES

SIDE HINGE (10 mm)

191



LH/RH

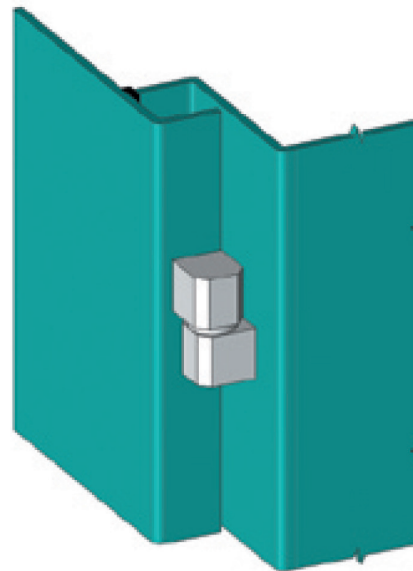
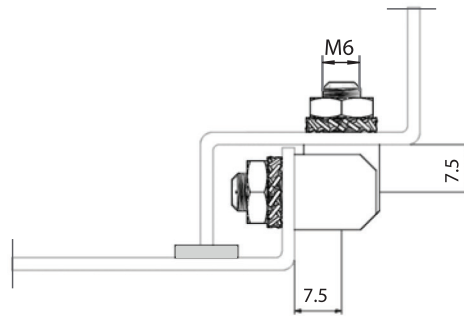
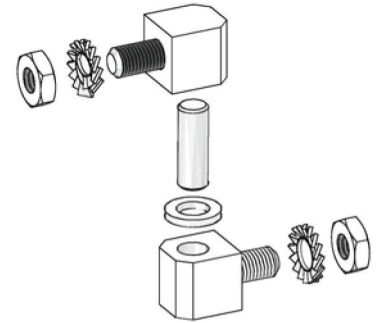
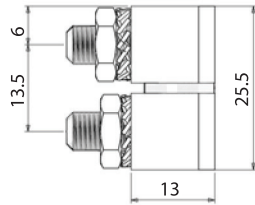


- Side-mounted hinge
- Steel 12 mm parts

APPLICATIONS
Electric panels, machinery covers

MATERIAL
Steel

FINISH
Zinc plated

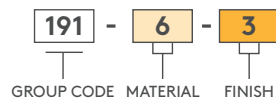


Hinge Rotation Angle



Note: Nuts and washers are supplied.

PRODUCT CODE



GROUP CODE MATERIAL FINISH