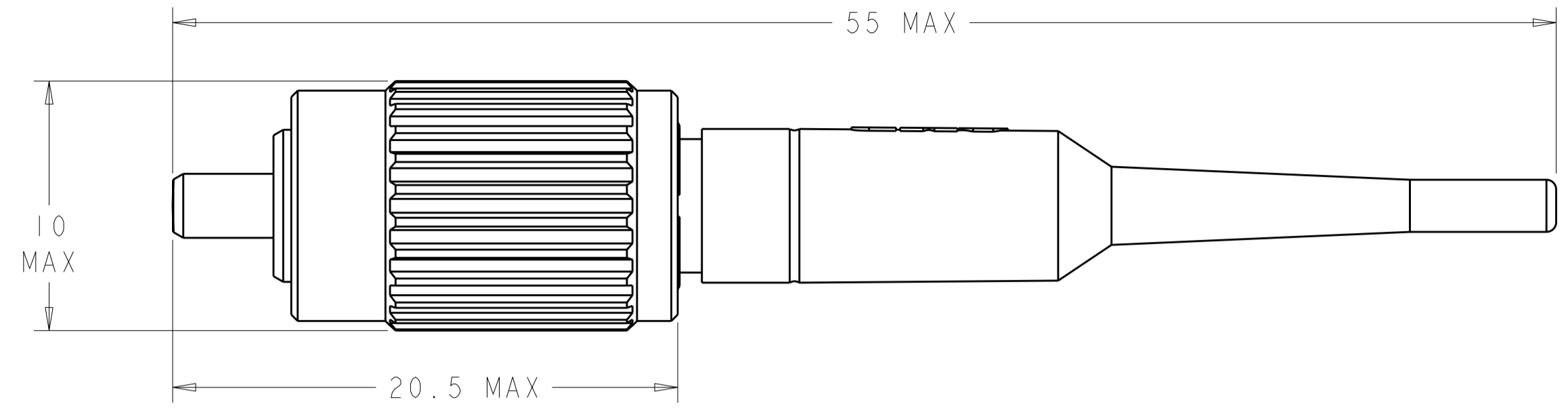


THIS DRAWING IS UNPUBLISHED. RELEASED FOR PUBLICATION 20  
 © COPYRIGHT 20 BY TYCO ELECTRONICS CORPORATION. ALL RIGHTS RESERVED.

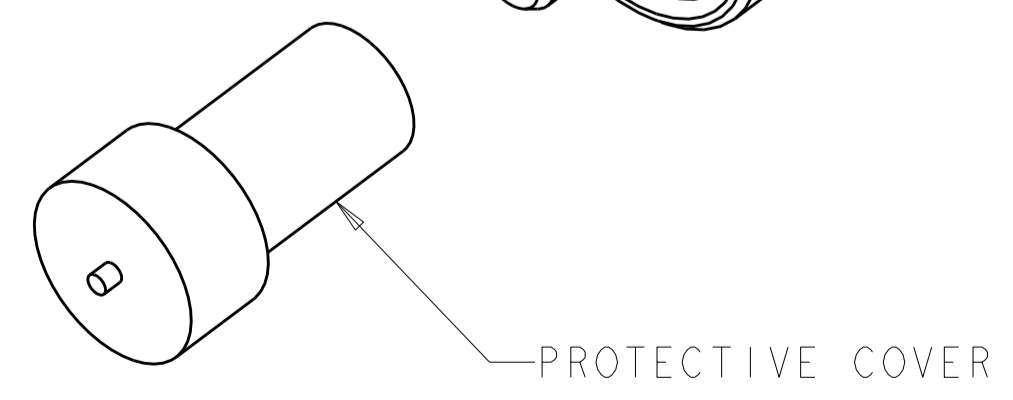
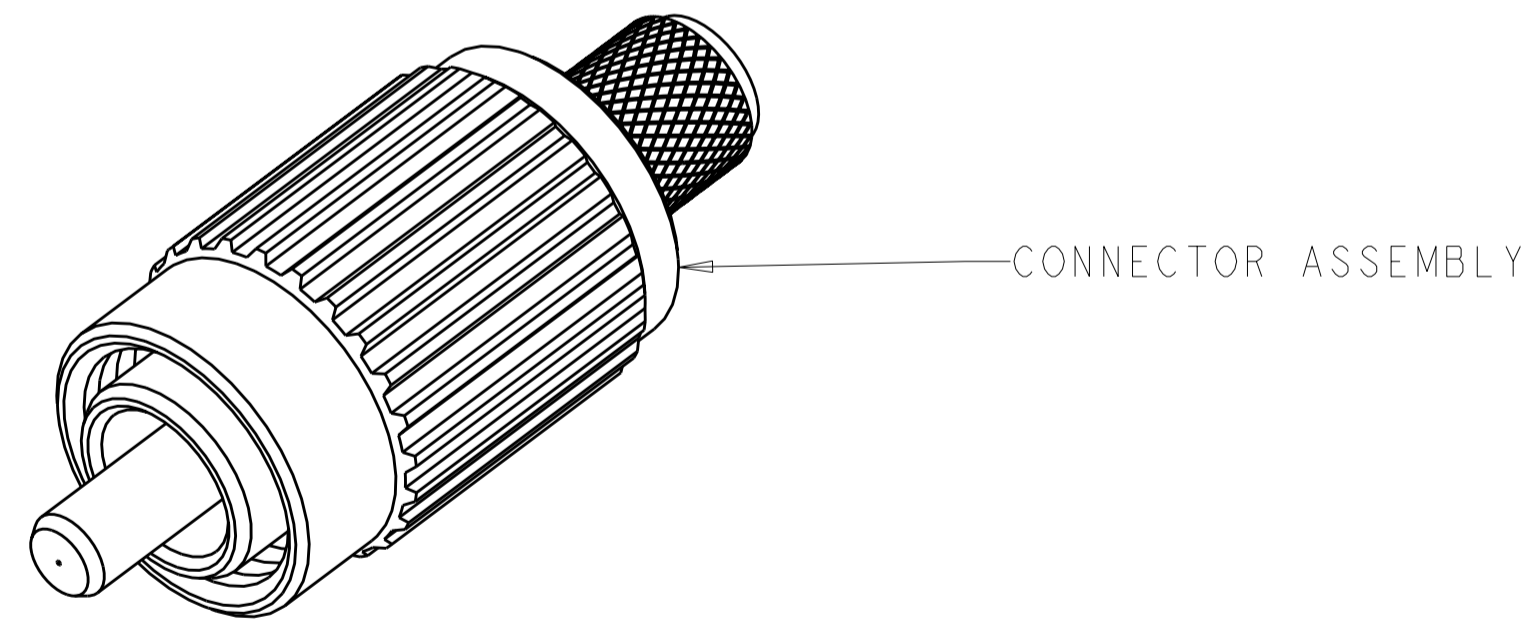
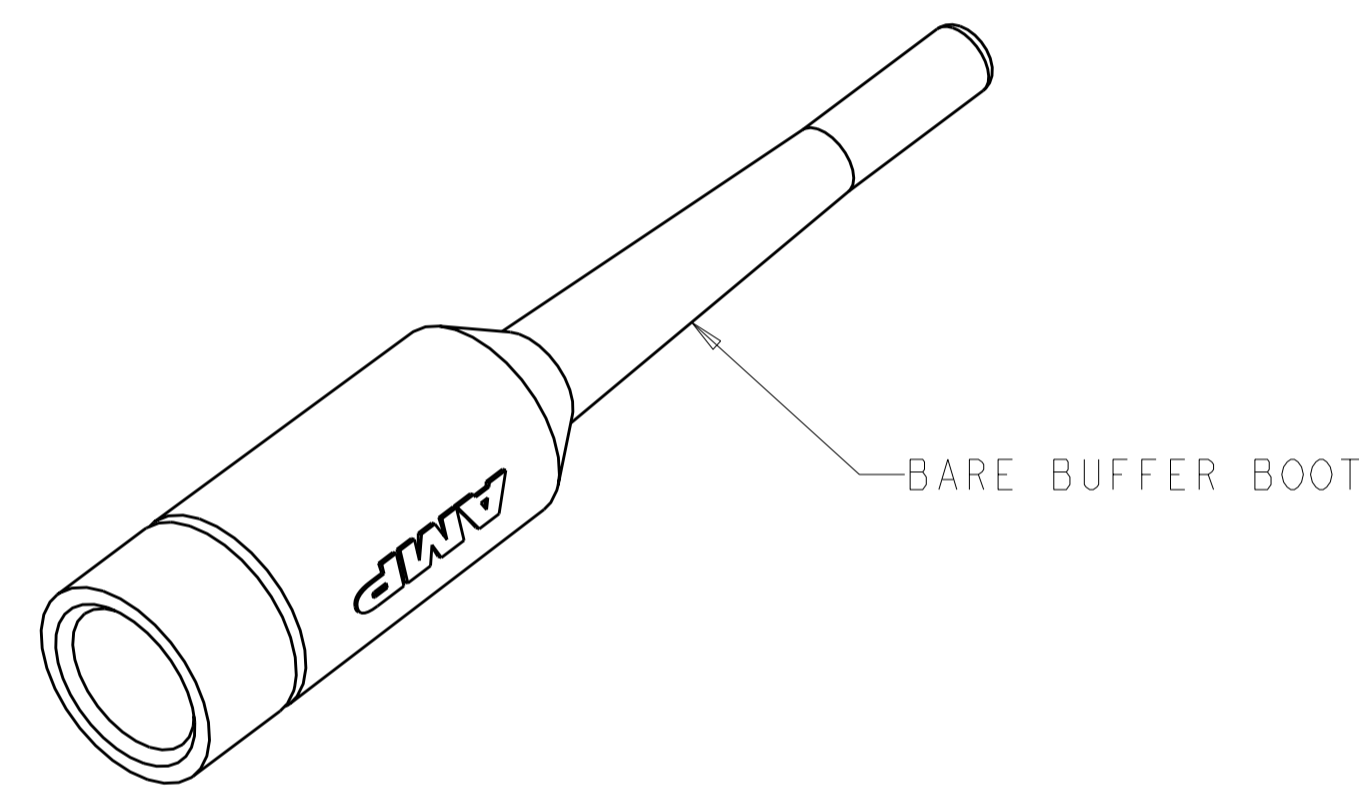
LOC	DIST	REVISIONS			
P	LTR	DESCRIPTION	DATE	DWN	APVD
CE	00	A	RELEASE TO ACTIVE	06JUN2006	BB SM



ASSEMBLED CONNECTOR

- 1 MATERIAL:  
 PROTECTIVE COVER: LDPE, BLACK, NON-FR.  
 CONNECTOR SUB-ASSEMBLY:  
 COUPLING NUT: NICKEL PLATED BRASS.  
 PLUG BODY: PPS-GF40, COLOR: BEIGE.\*  
 FERRULE ASSEMBLY: CERAMIC/PBT-GF17, COLOR: BLUE.\*  
 EPOXY-FILL TUBING: PVC, COLOR: CLEAR, UL VW-1 RATED.  
 SPRING: STAINLESS STEEL.  
 RETAINER BODY: PES-GF20, COLOR: BEIGE.\*  
 BOOT: TPE, COLOR: SEE TABLE.\*  
 \*UL94 V-0 RATED AT QUALIFYING THICKNESS.

- 2 BULK PACKAGE.  
 3. TO BE USED WITH 900um BUFFERED FIBER.



2	BLUE	5492052-5
2	YELLOW	5492052-4
	YELLOW	5492052-1
	BUFFER BOOT COLOR	PART NUMBER

THIS DRAWING IS A CONTROLLED DOCUMENT FOR TYCO ELECTRONICS CORPORATION. IT IS SUBJECT TO CHANGE AND THE CONTROLLING ENGINEERING ORGANIZATION SHOULD BE CONTACTED FOR THE LATEST REVISION.		DWN B. BRIGGS 12DEC2005	Tyco Electronics Harrisburg, PA 17105-3608	
DIMENSIONS: mm [ INCHES ]		CHK S. MILLER 12DEC2005	NAME CONNECTOR KIT, SINGLEMODE, 900um, FC	
TOLERANCES UNLESS OTHERWISE SPECIFIED: 0 PLC ± 1 PLC ± 2 PLC ± 3 PLC ± 4 PLC ± ANGLES ± FINISH		APVD S. BUCHTER 12DEC2005	RESTRICTED TO	
MATERIAL		PRODUCT SPEC	SIZE A2	CAGE CODE 00779
1		APPLICATION SPEC	DRAWING NO 5492052	REV A
		WEIGHT	SCALE 5:1 SHEET 1 OF 1	
		CUSTOMER DRAWING		