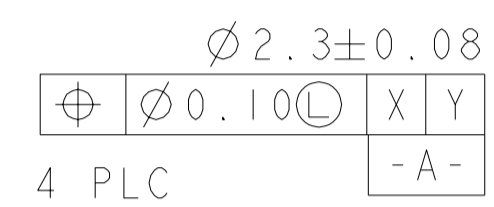
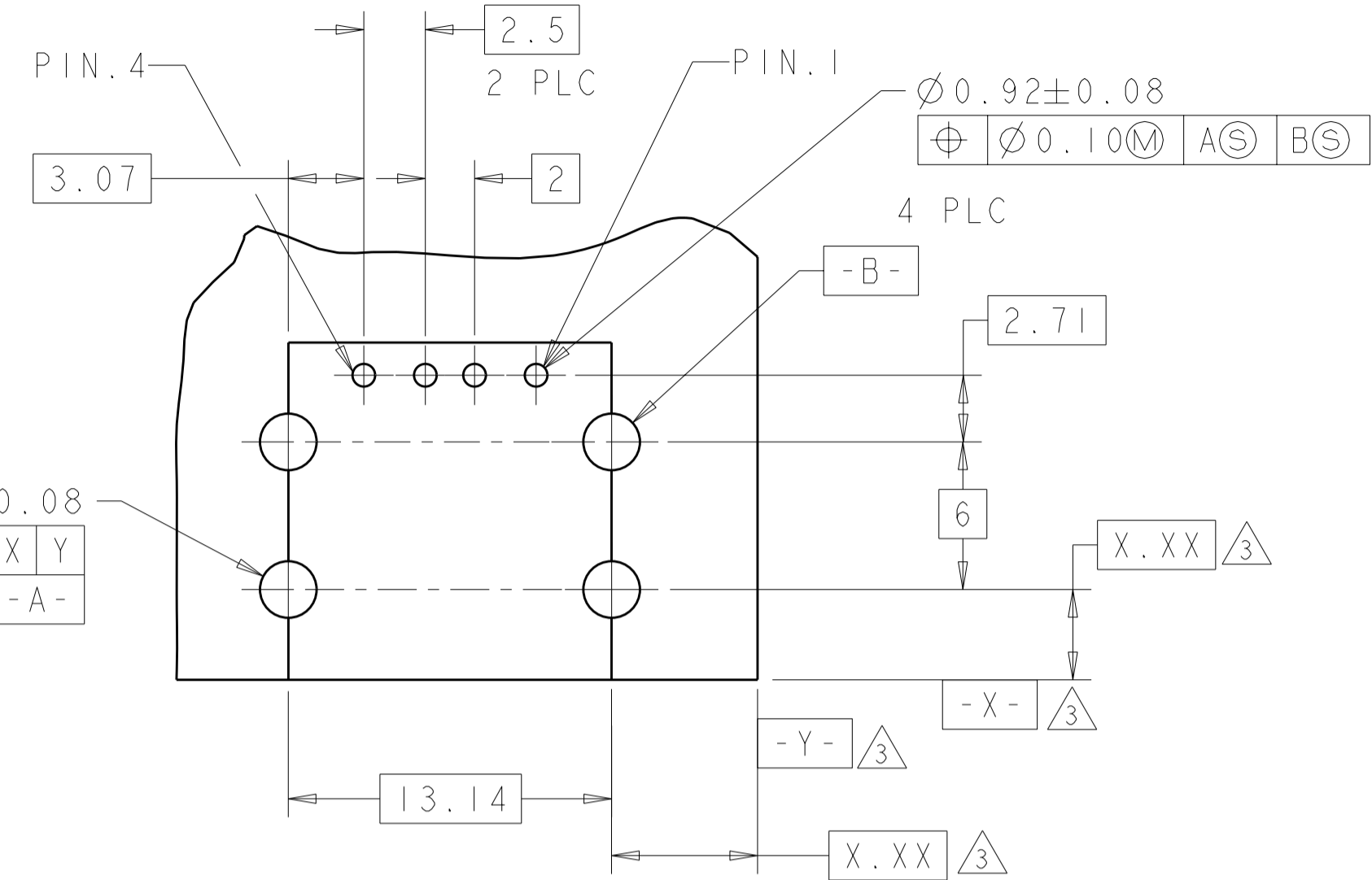
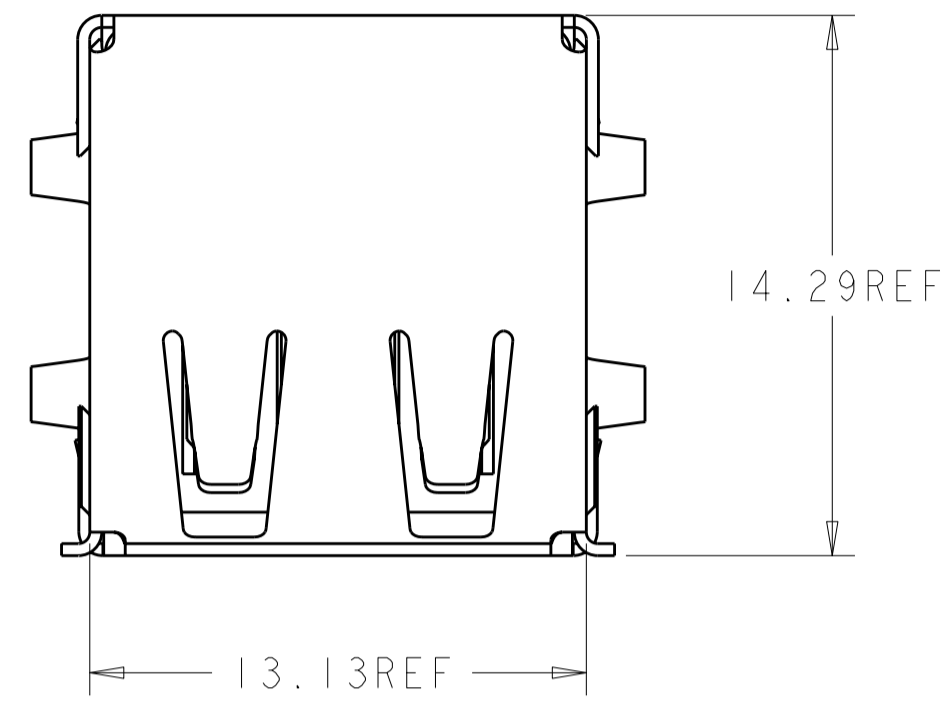
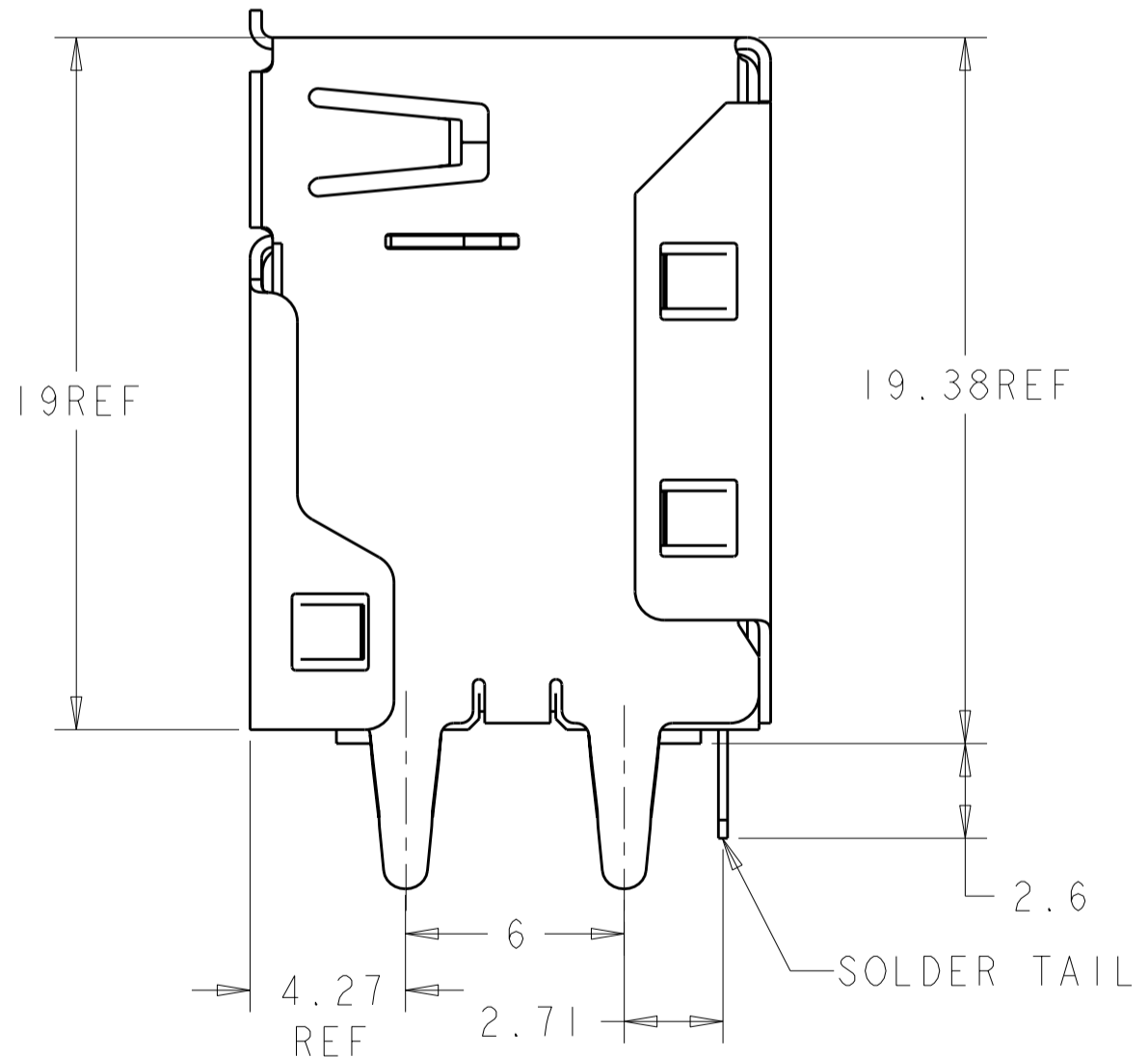
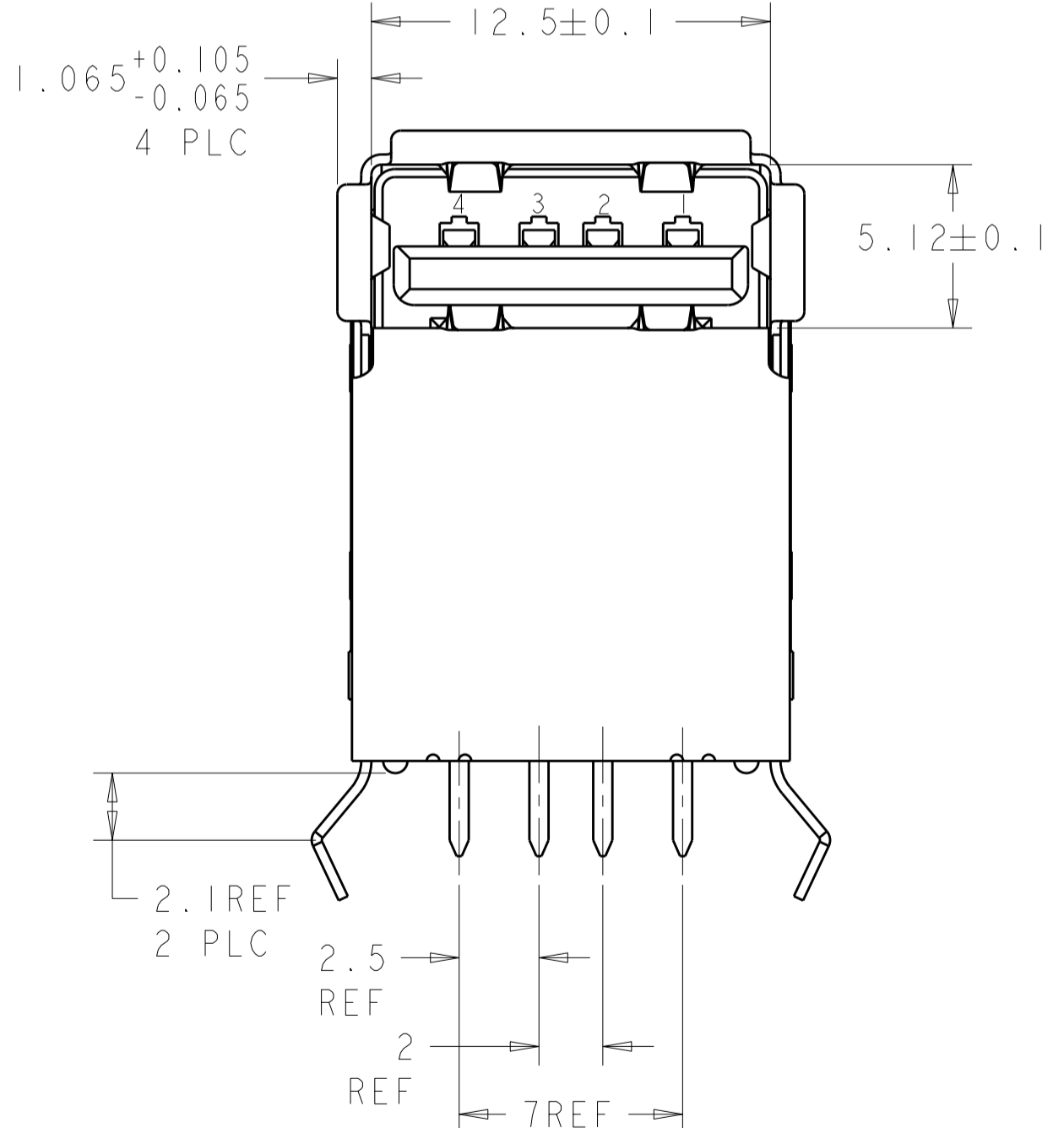


THIS DRAWING IS UNPUBLISHED. RELEASED FOR PUBLICATION 20
 © COPYRIGHT 20 BY TYCO ELECTRONICS CORPORATION. ALL RIGHTS RESERVED.

LOC		DIST		REVISIONS			
P	LTR	DESCRIPTION	DATE	DWN	APVD		
ES	00						
		C	REVISED ECR-08-019063	20OCT08	A.Z	S.Y	



PC BOARD MOUNTING DIMENSIONS $\Delta 4$



- $\Delta 1$ MATERIAL:
SHELLS & CONTACTS - COPPER ALLOY.
HOUSING - UL 94V-0 RATED, THERMOPLASTIC.
- $\Delta 2$ PLATING:
CONTACTS - 0.076
PALLADIUM-NICKEL ON MATING AREA.
3.8
BOTH OVER 1.27
CONTACT ALTERNATE PLATING: 0.76
ON MATING AREA, 3.8
TAILS, BOTH OVER 1.27
SHELL: 1.7
- $\Delta 3$ DATUM AND BASIC DIMENSIONS ESTABLISHED BY CUSTOMER.
- $\Delta 4$ RECOMMENDED PC BOARD THICKNESS OF 1.57.

THIS DRAWING IS A CONTROLLED DOCUMENT FOR TYCO ELECTRONICS CORPORATION. IT IS SUBJECT TO CHANGE AND THE CONTROLLING ENGINEERING ORGANIZATION SHOULD BE CONTACTED FOR THE LATEST REVISION.		DWN Tony Zhang 12NOV07	Tyco Electronics Shanghai, P.R, China, 200233	
DIMENSIONS: mm		CHK Martin Li 12NOV07	NAME RECEPTACLE ASSEMBLY RIGHT ANGLE 4 POSITION T/H USB LEAD FREE VERSION	
TOLERANCES UNLESS OTHERWISE SPECIFIED: 0 PLC ± 0.25 1 PLC ± 0.25 2 PLC ± 0.25 3 PLC ± 0.25 4 PLC ± 0.25 ANGLES $\pm 1^\circ$ FINISH		APVD Steven Yao 12NOV07	SIZE A200779	
MATERIAL $\Delta 1$		PRODUCT SPEC -	CAGE CODE C-1932055	
		APPLICATION SPEC -	DRAWING NO -	
		WEIGHT -	RESTRICTED TO -	
		CUSTOMER DRAWING	SCALE 4:1 SHEET 1 OF 1 REV C	