

Customer Information Sheet

DRAWING No.: S7241-45R

IF IN DOUBT - ASK

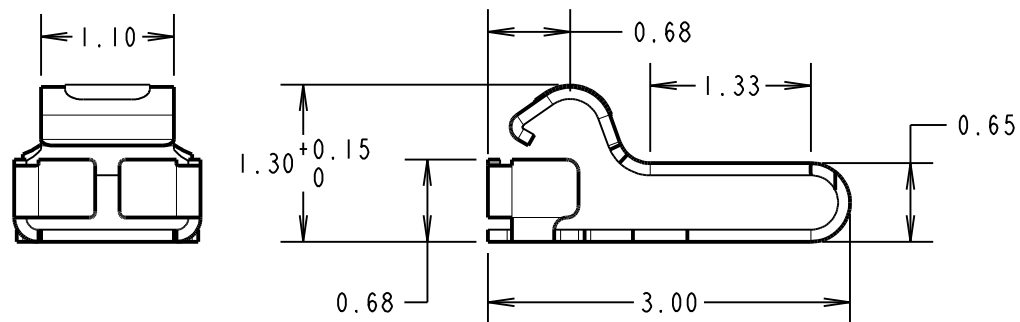
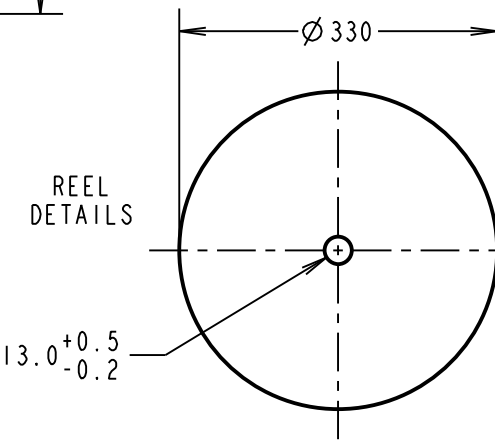
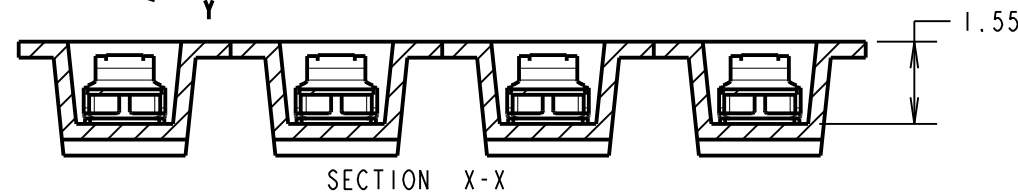
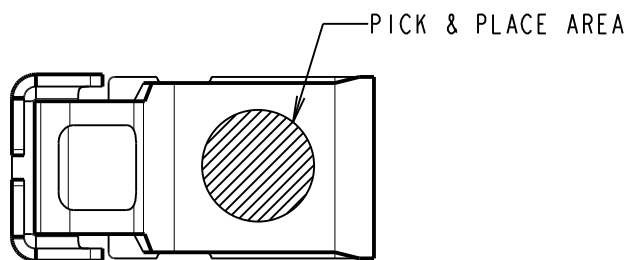
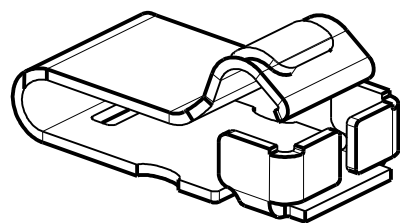
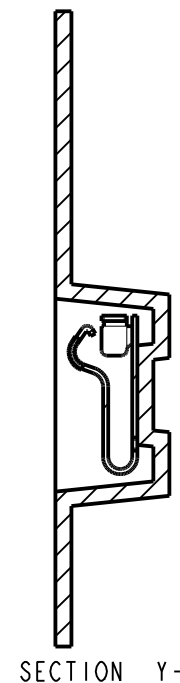
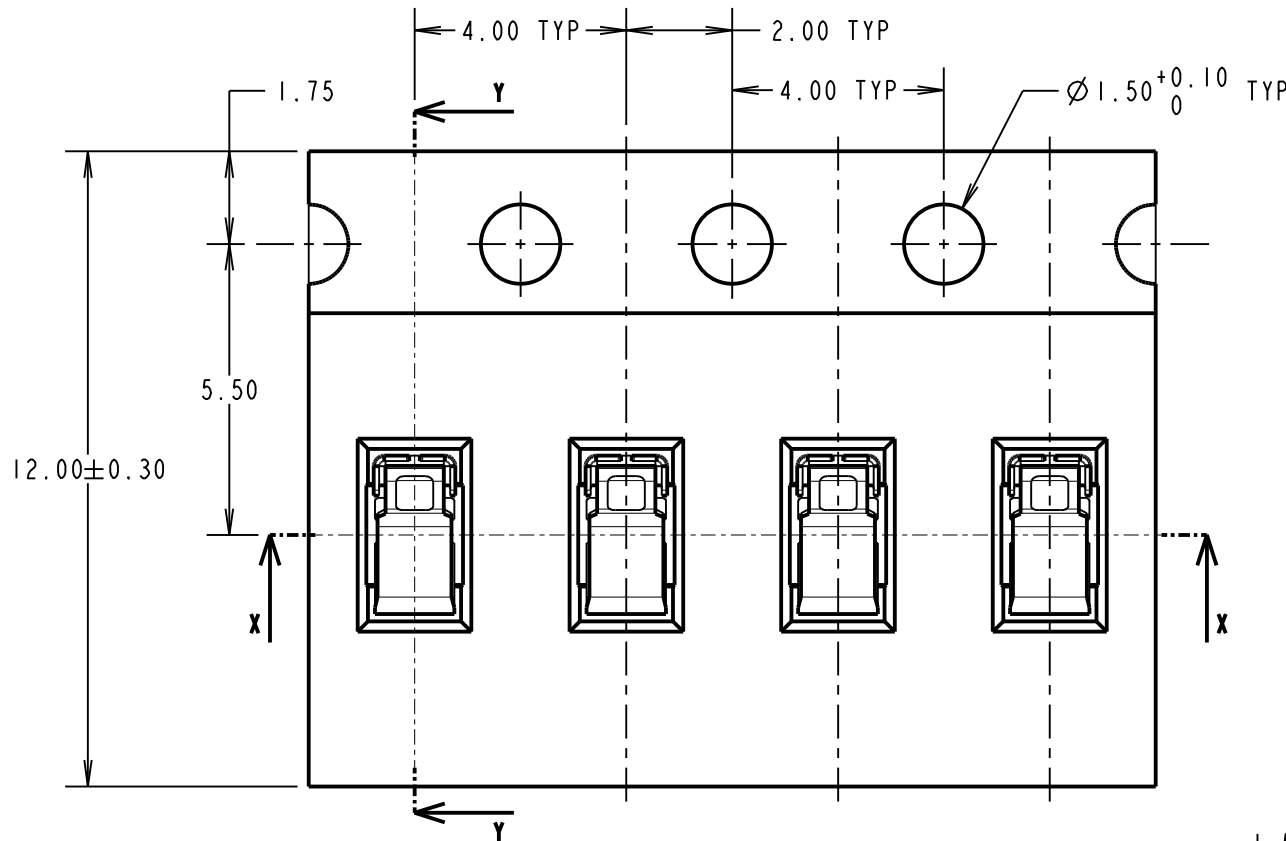
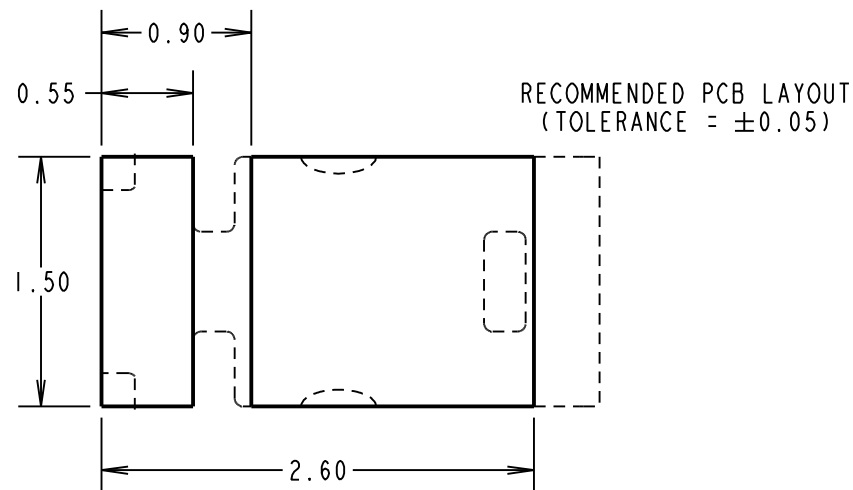
(C)

NOT TO SCALE

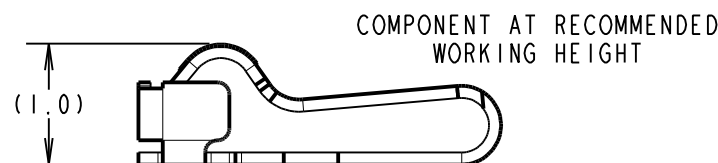
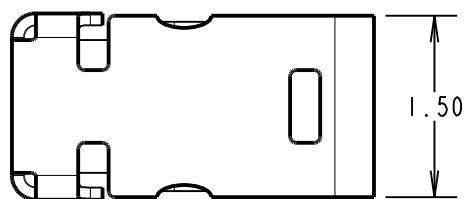
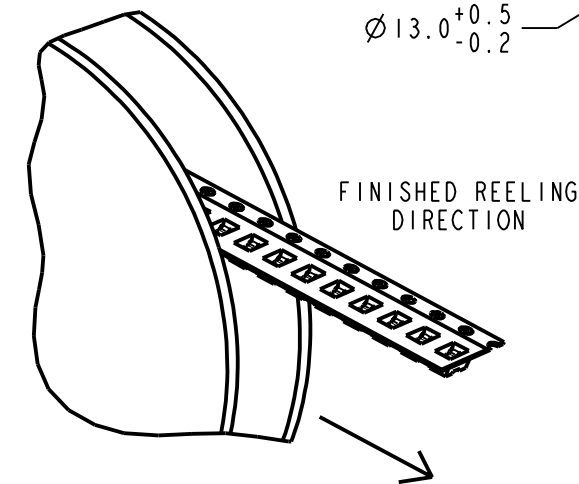
THIRD ANGLE PROJECTION

ALL DIMENSIONS IN mm

- NOTES:
 1. QUANTITY PER REEL = 8,000.
 2. THIS PRODUCT IS TAPED AND REELED IN GENERAL ACCORDANCE WITH EIA-481-2 (ELECTRONICS INDUSTRIES ASSOCIATION).



SPECIFICATION:
 MATERIAL = TITANIUM COPPER ALLOY, 0.08mm THICK
 FINISH = 1.5 μ -3.5 μ NICKEL ALL OVER, 0.1 μ GOLD ON TOP CONTACT AREA AND GOLD FLASH ON BASE
 ELECTRICAL:
 CONTACT RESISTANCE = 50m Ω MAX
 CURRENT RATING = 1A
 VOLTAGE RATING = 250V AC
 MECHANICAL:
 DURABILITY = 10,000 CYCLES
 RECOMMENDED WORKING HEIGHT = 1.00mm / MIN FORCE = 0.39N
 RECOMMENDED MINIMUM WORKING HEIGHT = 0.70mm
 ENVIRONMENTAL:
 OPERATING TEMPERATURE = -40°C TO +85°C



MSP	2	30.11.15	13179
NAME	ISS.	DATE	C/NOTE
APPROVED: M.PERREN			
CHECKED: S.BENNETT			
DRAWN: S.BENNETT			
CUSTOMER REF.:			
ASSEMBLY DRG:			

HARWIN

www.harwin.com
 technical@harwin.com

THIS DRAWING AND ANY INFORMATION OR DESCRIPTIVE MATTER SET OUT HEREON ARE CONFIDENTIAL AND COPYRIGHT PROPERTY OF THE HARWIN GROUP AND MUST NOT BE DISCLOSED, LOANED, COPIED OR USED FOR MANUFACTURING, TENDERING OR FOR ANY OTHER PURPOSE WITHOUT THEIR WRITTEN PERMISSION.

TOLERANCES
 X. = ±1mm
 X.X = ±0.50mm
 X.XX = ±0.10mm
 X.XXX = ±0.01mm
 ANGLES = ±5°
 UNLESS STATED

MATERIAL:
 SEE ABOVE
 FINISH: SEE ABOVE
 S/AREA: mm²

TITLE: SMT SPRING CONTACT
 (1.30mm HIGH)
 IN TAPE AND REEL

DRAWING NUMBER: S7241-45R

SHT 2 OF 2