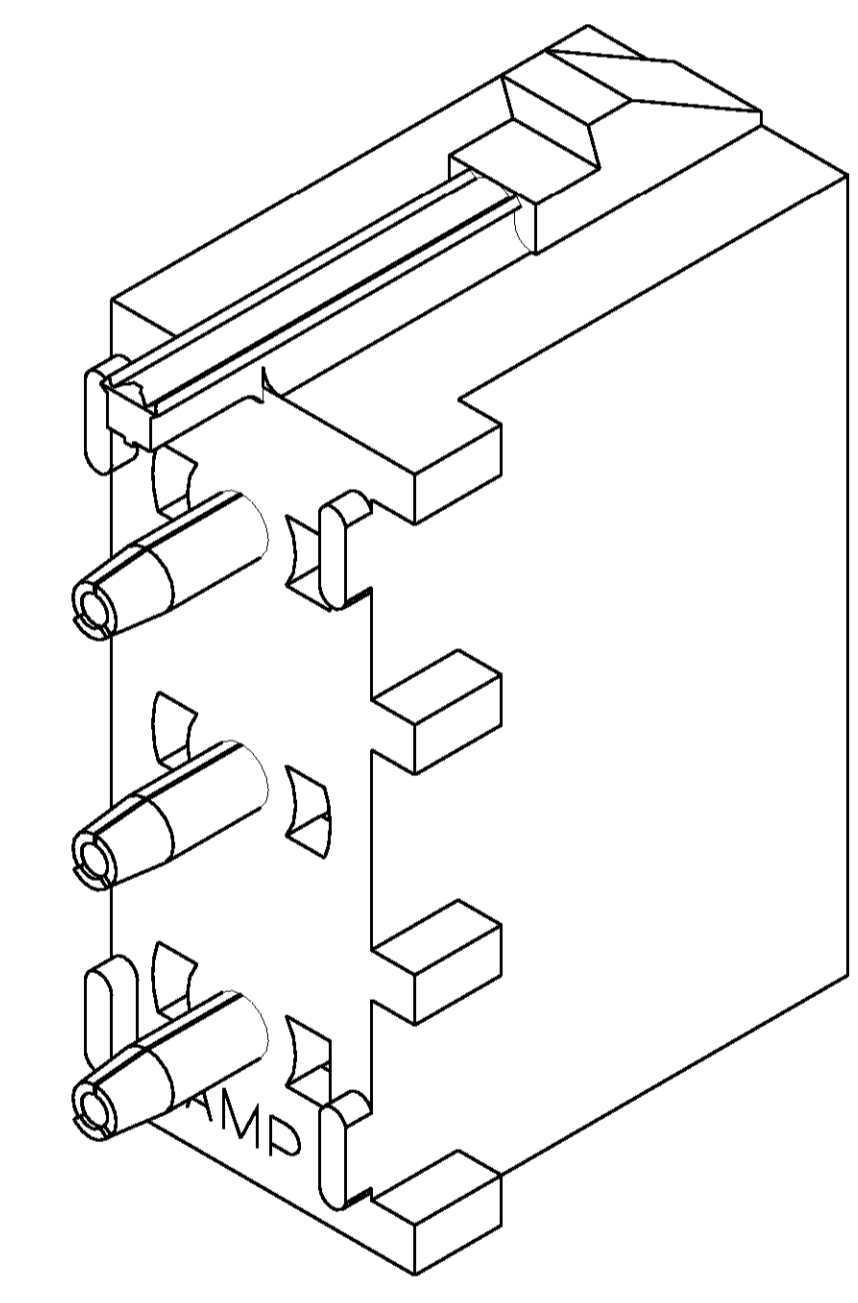
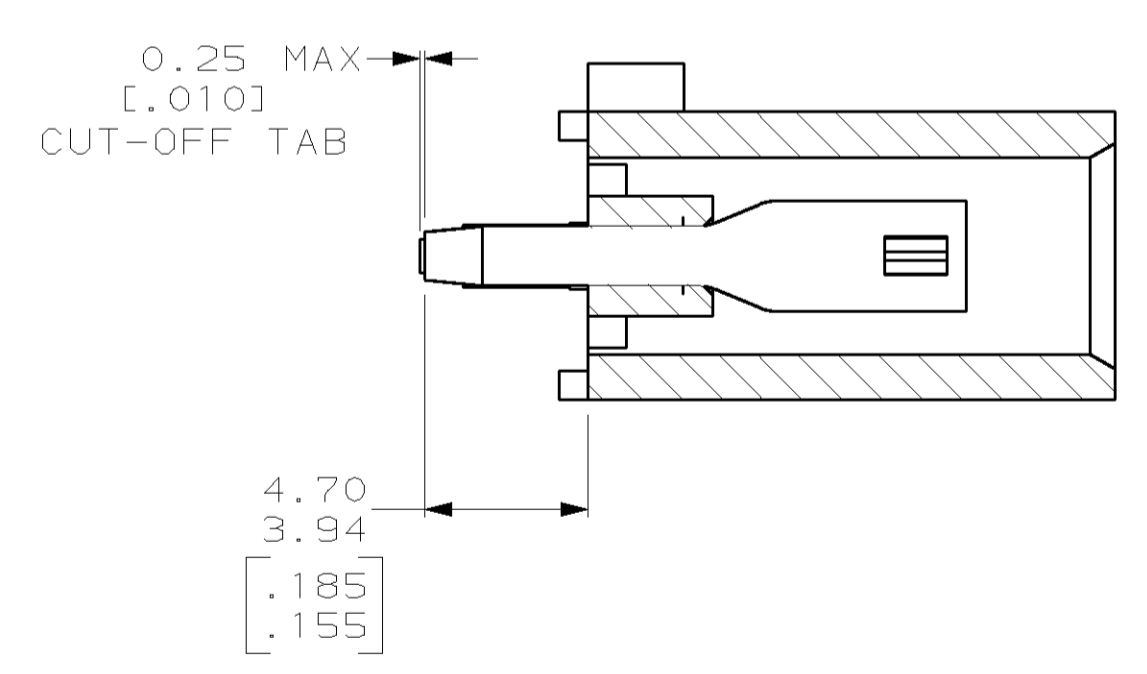
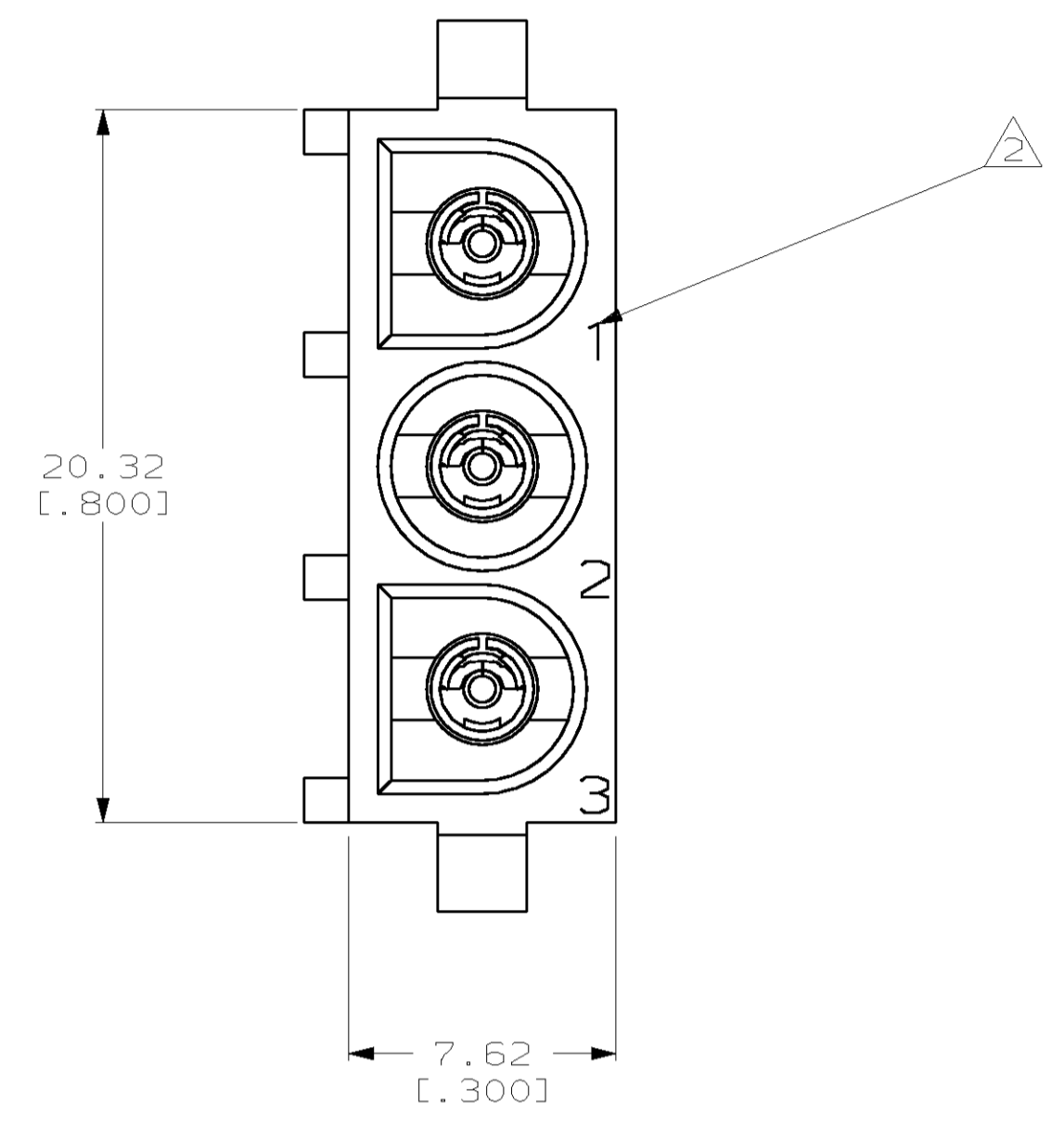
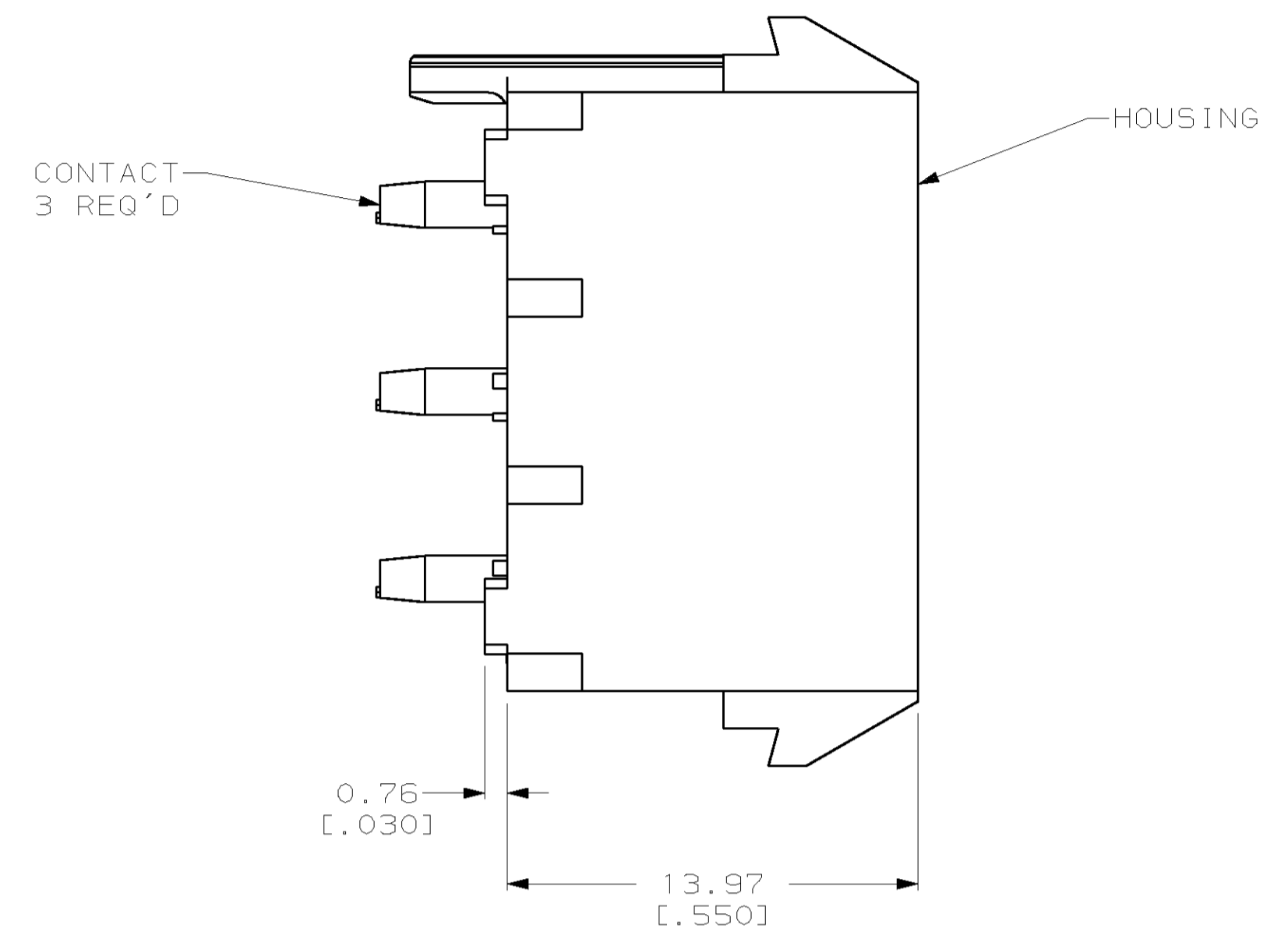
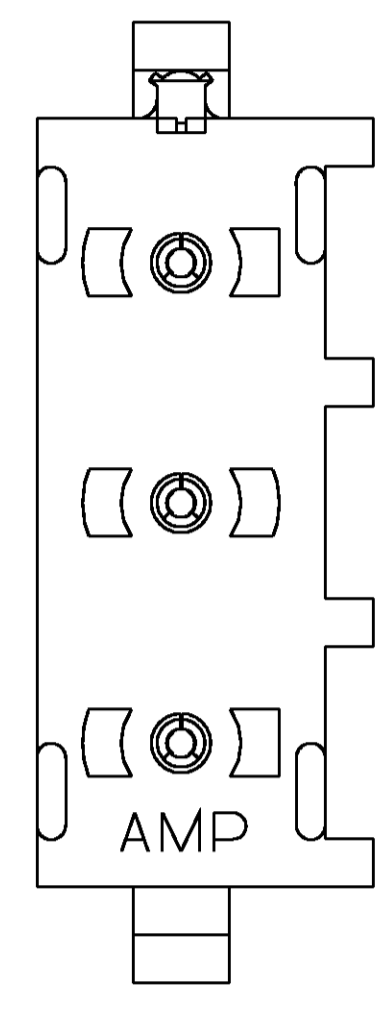
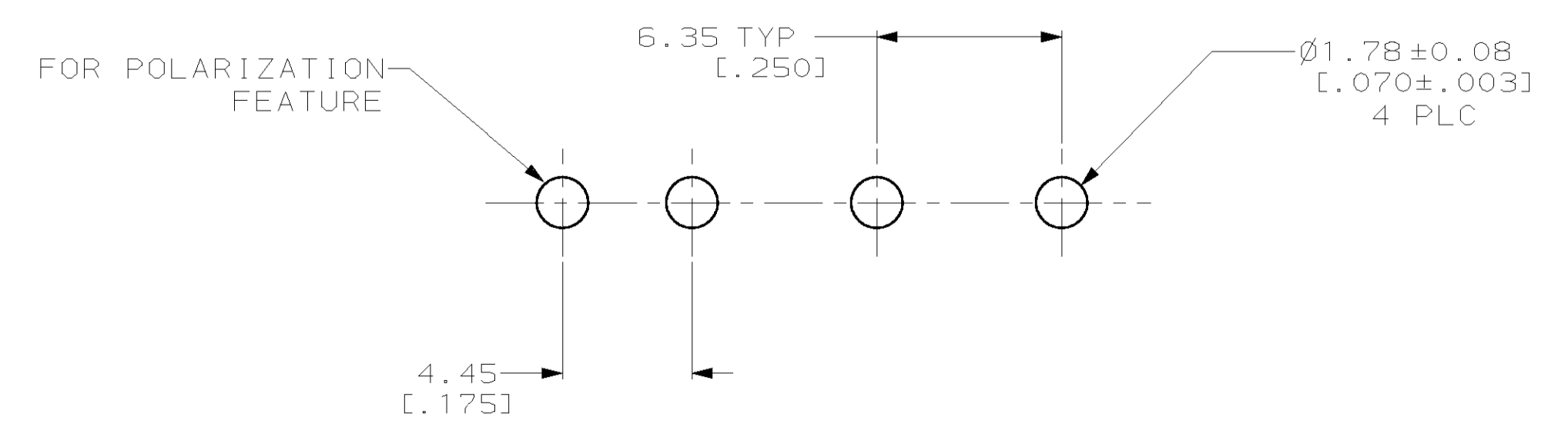


REV. NO.		REVISIONS			
LOC	DIST	REV	DATE	BY	APPROV
CM	00	H	07-JAN-00	LM	KC
		REV & REDWN PER EC 0638-0222-99			

- PARTS COMPLY TO AMP SOLDERABILITY SPECIFICATION 109-11-3.
- CIRCUIT IDENTIFICATION CHARACTERS ARE ADJACENT TO THE INDICATED CAVITIES, BUT LOCATION AND ORIENTATION MAY DIFFER FROM PRINT.
- DIMENSIONS IN BRACKETS ARE IN INCHES.



3-DIMENSIONAL MODEL
NTS



RECOMMENDED MOUNTING HOLE PATTERN
FOR 1.57 [.062] THICK P.C. BOARD

PHOSPHOR BRONZE, PRE-TIN PIN CONTACT MATERIAL AND FINISH	NYLON, UL94V-2, NATURAL HOUSING MATERIAL	643413-1 PART NO
THIS DRAWING IS A CONTROLLED DOCUMENT.		AMP Incorporated Harrisburg, PA 17105-3608
DIMENSIONS: mm (INCHES)	TOLERANCES UNLESS OTHERWISE SPECIFIED:	NAME: SOCKET HEADER ASSEMBLY, POLARIZED, 3 CIRCUIT UNIVERSAL MATE-N-LOK™
0 PLC ±	1 PLC ±	SIZE: A1
2 PLC ±0.13 (.005)	3 PLC ±	CAGE CODE: 00779
4 PLC ±	5 PLC ±	DRAWING NO: 643413
ANGLES: 40°-30°	FINISH: SEE TABLE	SCALE: 5:1
MATERIAL: SEE TABLE	WEIGHT: -	SHEET 1 OF 1
CUSTOMER DRAWING		REV H

