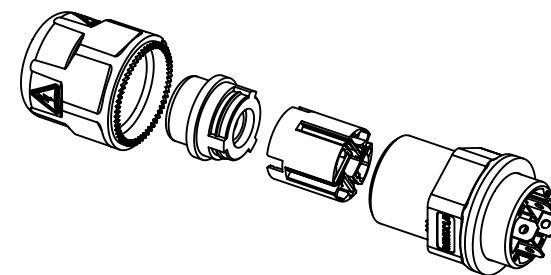
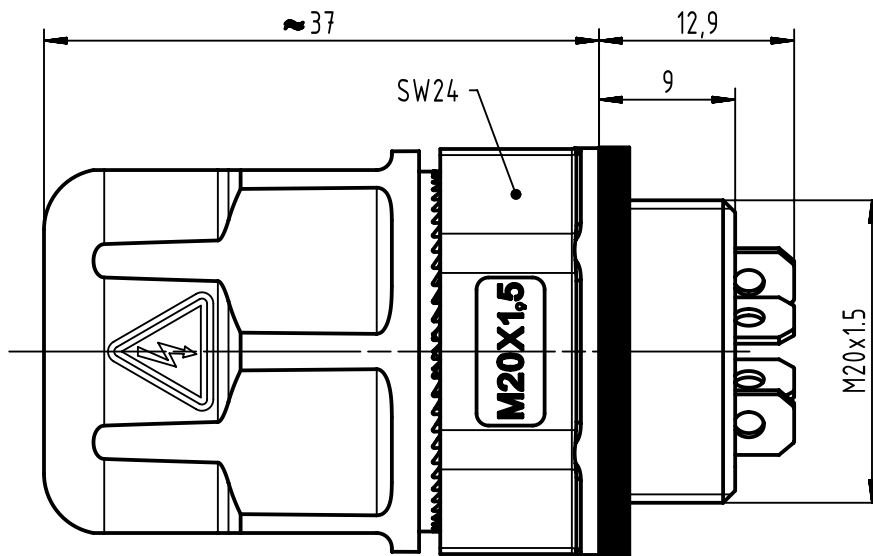
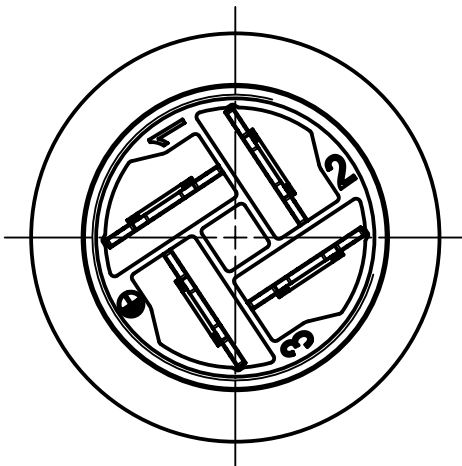
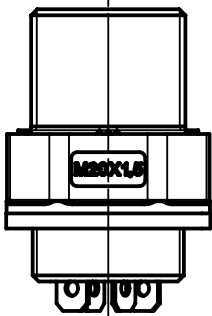
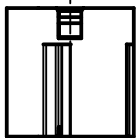
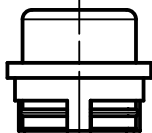
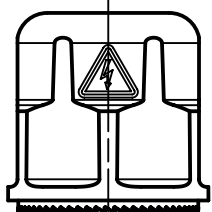


(1:1)



	All rights reserved Department EC PD - DE	Created by DYCKC		Inspected by WELLMANN	Standardisation HOFFMANN	Ref.	
		Title HARAX M20 PFT 4-pole with PE		Date 2013-11-21	State Final Release	Doc-Key / ECM-Nr. 100554742/UGD/004/A 500000068402	
HARTING Electronics GmbH D-32339 Espelkamp		Type TB	Number 21011413023		Rev. A	Page 1/1	