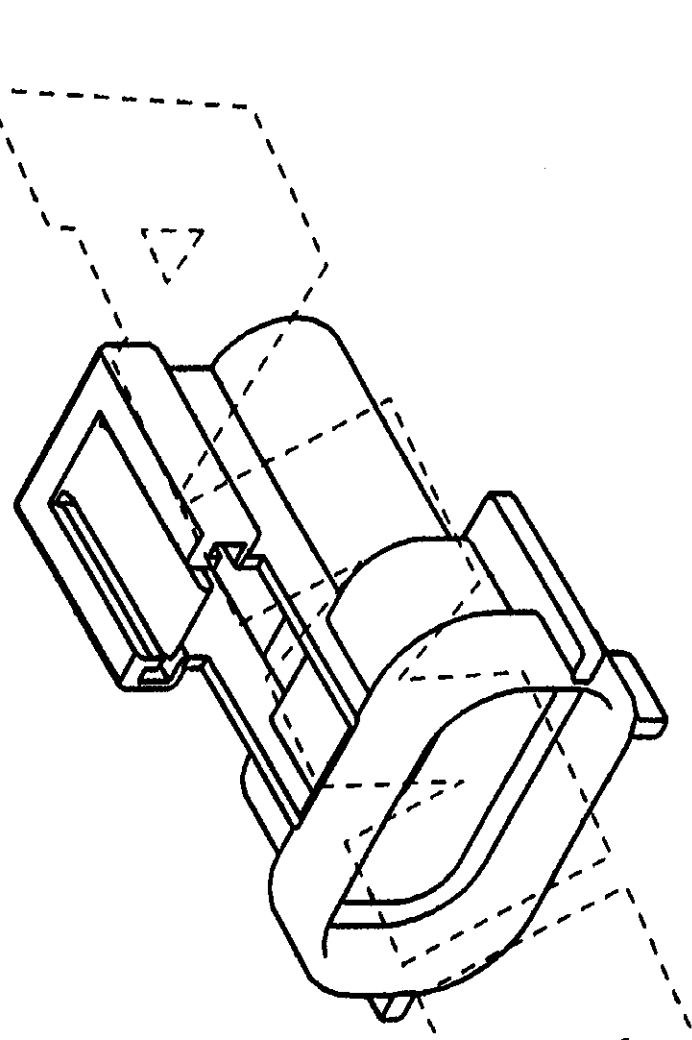
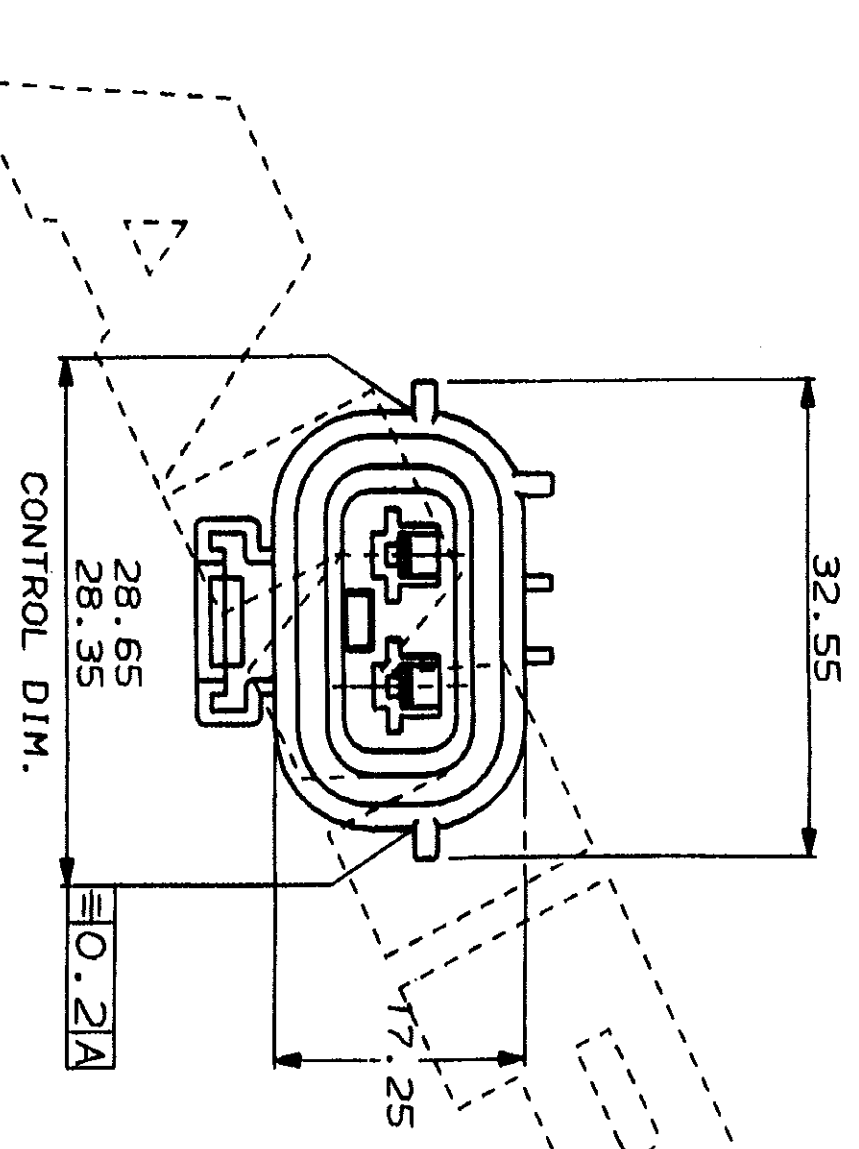


DO NOT SCALE

DIMENSIONS IN MM.



REV	APPROVED	DATE	ECN	REV	APPROVED	DATE	ECN
0		11.3.88		0		11.3.88	
A		15.7.88		A		15.7.88	
B		13.4.89		B		13.4.89	
C		2.12.91		C		2.12.91	
D				D			
E				E			

FINISH	MATERIAL	PART NUMBER
WHITE	NYLON 66	344075-4
BLUE	NYLON 66	344075-3
RED	NYLON 66	344075-2
BLACK	NYLON 66	344075-1

CUSTOMER DWG
FOR REFERENCE ONLY

DR. I. J. J.
CH. R. J. S.
APP. R. J. J.

19/05/87

TERMINAL HOUSE
STAMPING
HINDOX.

2 MAY TAB HSG.
ECONOSEAL 3 HIGH CURRENT

SCALE LOC SIZE DWS. NO. REV SHEET
2/1 E A2 C344075 C 1/1

© COPYRIGHT 1987 BY AMP OF GREAT BRITAIN LTD.
ALL INTERNATIONAL RIGHTS RESERVED. ALL PRODUCTS
MAY BE COVERED BY BRITISH AND FOREIGN PATENTS AND/OR PATENTS PENDING.

TOLERANCES UNLESS OTHERWISE STATED DEC ± 0.5 ANGLES ± 1°