

THE INFORMATION CONTAINED HEREIN IS CONSIDERED "PROPRIETARY" TO BEL FUSE INC. AND SHALL NOT BE COPIED, REPRODUCED OR DISCLOSED WITHOUT THE WRITTEN APPROVAL OF BEL FUSE INC.

RoHS



ELECTRICAL CHARACTERISTICS @ 25°C

URNS RATIO

TX 1CT : 1  
RX 1CT : 1

□CL @ 100kHz/100mVRMS

8mA DC BIAS 350μH MIN.

INS. LOSS

1MHz TO 100MHz -1.0 dB MAX

RET. LOSS (MIN)

1MHz-30MHz -18 dB  
30MHz-60MHz -18+20LOG(F/30MHz) dB  
60MHz-80MHz -12 dB

CROSS TALK (TX - RX)

500kHz-1MHz -70 dB MIN  
10 MHz -50 dB MIN  
30 MHz -45 dB MIN  
50 MHz -40 dB MIN  
100 MHz -35 dB MIN

CM TO CM REJ

100kHz-1MHz -70 dB MIN  
10 MHz -47 dB MIN  
30 MHz -42 dB MIN  
60 MHz -37 dB MIN  
100 MHz -30 dB MIN

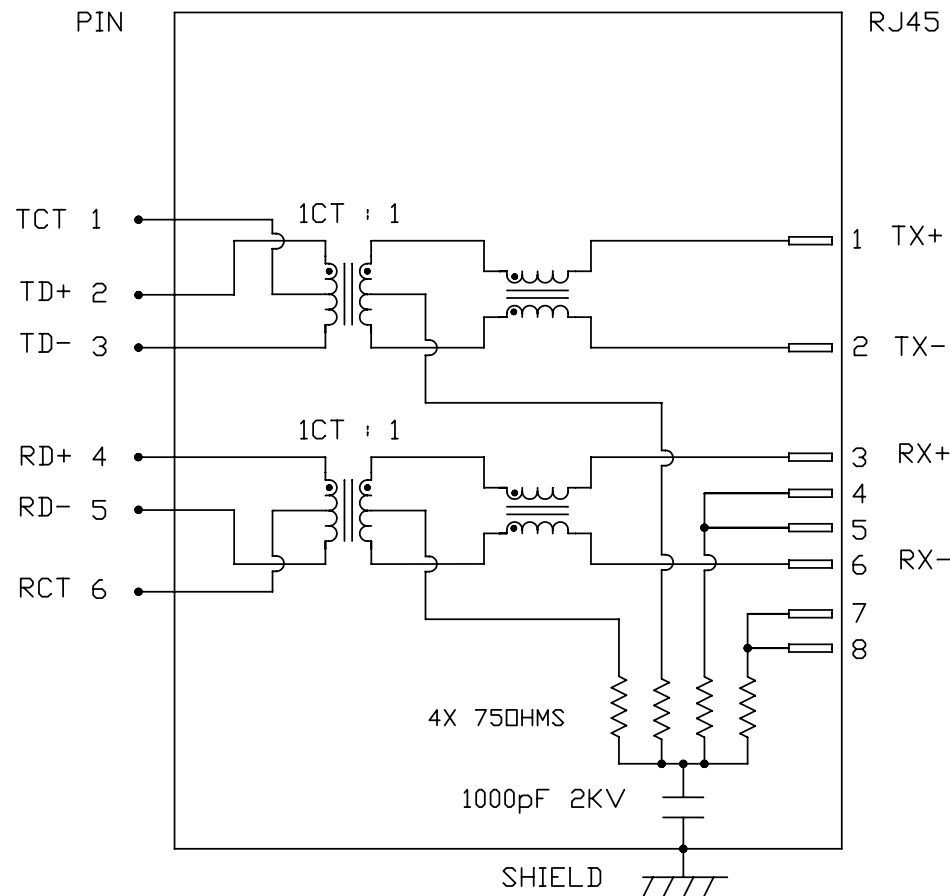
CM TO DM REJ

100kHz-1MHz -70 dB MIN  
10 MHz -60 dB MIN  
30 MHz -50 dB MIN  
60 MHz -45 dB MIN  
100 MHz -40 dB MIN

HIPDT (Isolation Voltage): 1500 Vrms or 2250VDC

100% OF PRODUCTION TESTED TO COMPLY WITH IEEE 802.3 ISOLATION REQUIREMENTS.

SCHEMATIC



ORIGINATED BY	DATE
CHOW WANCHUNG	2012-08-03
DRAWN BY	DATE
TAN QIGUANG	2012-08-03

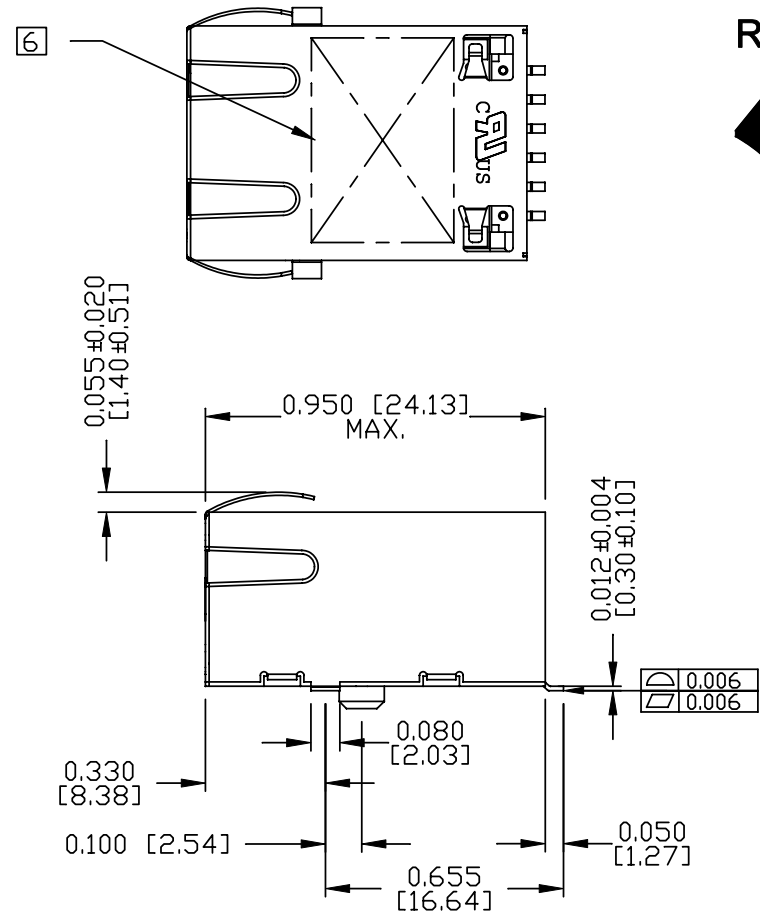
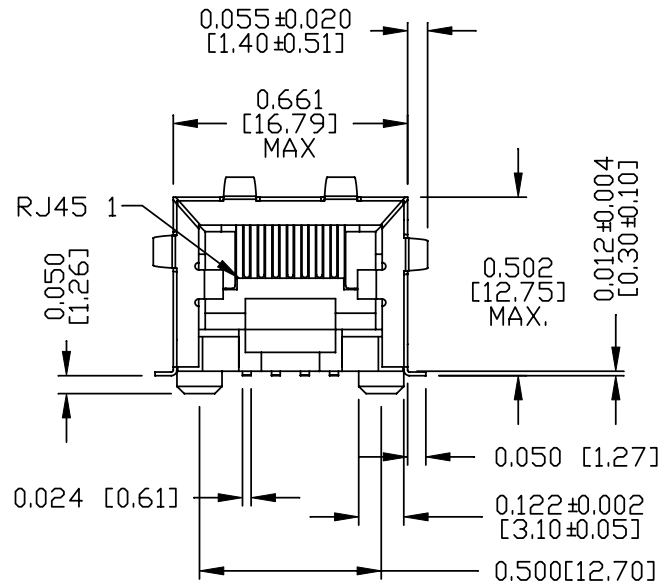
TITLE	SMD MagJack® (4 Cores,MDIX,CM Termination)
PART NO. / DRAWING NO.	S8111X1T06-F
FILE NAME	S8111X1T06-F_E.DWG

STANDARD DIM. TOL. IN INCH	[ ] METRIC DIM. AS REFERENCE
.X	UNIT : INCH [mm]
.XX	SCALE : N/A
.XXX	REV. : E
	SIZE : A4
	PAGE : 2



THE INFORMATION CONTAINED HEREIN IS CONSIDERED "PROPRIETARY" TO BEL FUSE INC. AND SHALL NOT BE COPIED, REPRODUCED OR DISCLOSED WITHOUT THE WRITTEN APPROVAL OF BEL FUSE INC.

RoHS



NOTES:

1. PLASTIC HOUSING: THERMOPLASTIC PA & THERMOSET PHENOLIC. FLAMMABILITY RATING UL 94V-0
2. CONTACTS PLATING: 50 MICRO-INCH HARD GOLD PLATING OR EQUIVALENT.
3. PINS: TIN-COATED COPPER WIRE, 0.024 [0.6] X 0.012 [0.3] THK.
4. METAL SHIELD: NICKEL PLATED COPPER ALLOY.
5. JACK CAVITY CONFORMS TO FCC RULES AND REGULATIONS.
6. MARK PART WITH MFG. LOGO, MFG. NAME, PART NUMBER, DATE CODE AND PATENTED.

7. THE PRODUCT IS RoHS COMPLIANT.
8. THE PRODUCT IS PATENT PRODUCT. THE PATENT NUMBER IS U.S. PAT. 5,736,910.

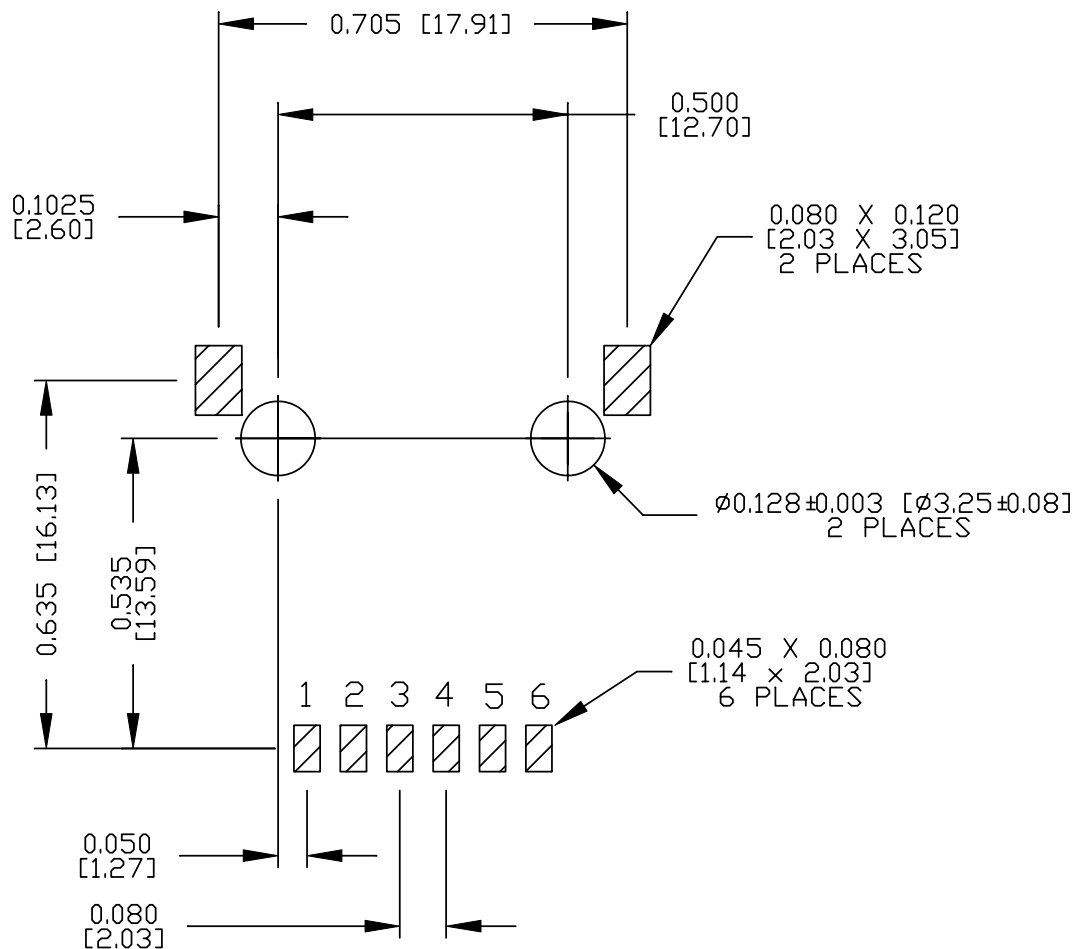
ORIGINATED BY ANTON LIAO	DATE 2012-08-03	TITLE SMD MagJack® (4 Cores,MDIX,CM Termination)	PART NO. / DRAWING NO. S8111X1T06-F	STANDARD DIM. TOL. IN INCH	[ ] METRIC DIM. AS REFERENCE	bel COMPONENTS FOR A CONNECTED PLANET
DRAWN BY HE ZHEN	DATE 2012-08-03		FILE NAME S8111X1T06-F_E.DWG	.X .XX .XXX	UNIT : INCH [mm] SCALE : N/A	
				±0.010		

THE INFORMATION CONTAINED HEREIN IS CONSIDERED "PROPRIETARY" TO BEL FUSE INC. AND SHALL NOT BE COPIED, REPRODUCED OR DISCLOSED WITHOUT THE WRITTEN APPROVAL OF BEL FUSE INC.

RoHS



RECOMMENDED PCB FOOTPRINT  
COMPONENT SIDE VIEW



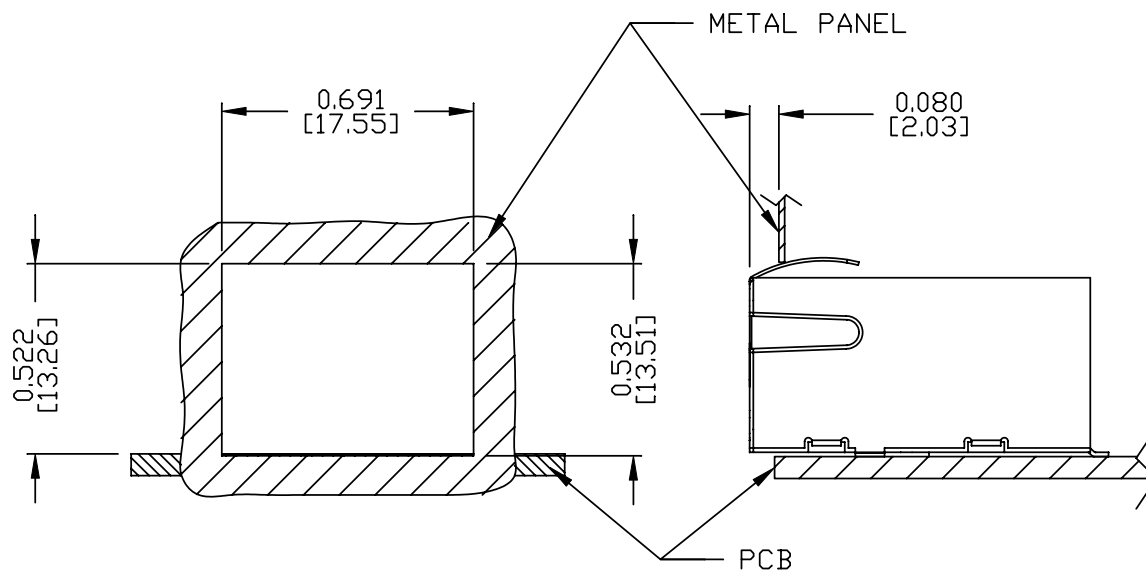
ORIGINATED BY ANTON LIAO	DATE 2012-08-03	TITLE SMD MagJack ® (4 Cores, MDIX, CM Termination) S811-1X1T-06-F PATENTED	PART NO. / DRAWING NO. S8111X1T06-F		STANDARD DIM. TOL. IN INCH		[ ] METRIC DIM. AS REFERENCE		 COMPONENTS FOR A CONNECTED PLANET
			FILE NAME S8111X1T06-F_E.DWG		.X		UNIT : INCH [mm]	REV. : E	
DRAWN BY HE ZHEN	DATE 2012-08-03				.XX		SCALE : N/A	SIZE : A4	
					.XXX	±0.004		PAGE : 4	

THE INFORMATION CONTAINED HEREIN IS CONSIDERED "PROPRIETARY" TO BEL FUSE INC. AND SHALL NOT BE COPIED, REPRODUCED OR DISCLOSED WITHOUT THE WRITTEN APPROVAL OF BEL FUSE INC.

RoHS



SUGGESTED PANEL OPENING



NOTES:

THE DISTANCE OF PANEL INSIDE SURFACE RELATIVE TO FRONT SURFACE OF PART IS ONLY A SUGGESTION.  
 IN CASE THIS DISTANCE IS DIFFERENT, THE REQUIRED PANEL OPENING DIMENSIONS CHANGE ACCORDINGLY.

ORIGINATED BY ANTON LIAO	DATE 2012-08-03	TITLE SMD MagJack® (4 Cores,MDIX,CM Termination) S811-1X1T-06-F PATENTED	PART NO. / DRAWING NO. S811X1T06-F	STANDARD DIM. TOL. IN INCH		[ ] METRIC DIM. AS REFERENCE	
				.X		UNIT : INCH [mm]	REV. : E
DRAWN BY HE ZHEN	DATE 2012-08-03		FILE NAME S811X1T06-F_E.DWG	.XX		SCALE : N/A	SIZE : A4
				.XXX	±0.004		PAGE : 5

