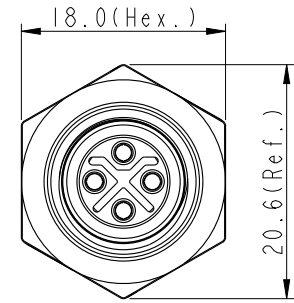
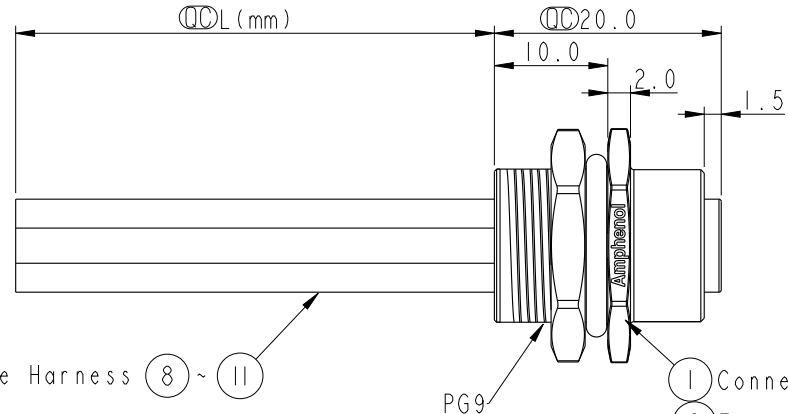
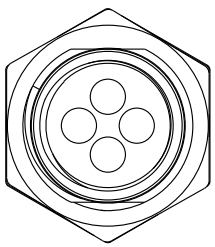


THIS DOCUMENT IS SUBJECT TO CHANGE WITHOUT NOTICE. IT IS CONFIDENTIAL AND A PROPERTY OF Amphenol LTW. DISCLOSURE TO THIRD PARTY HAS TO BE AUTHORIZED BY Amphenol LTW.

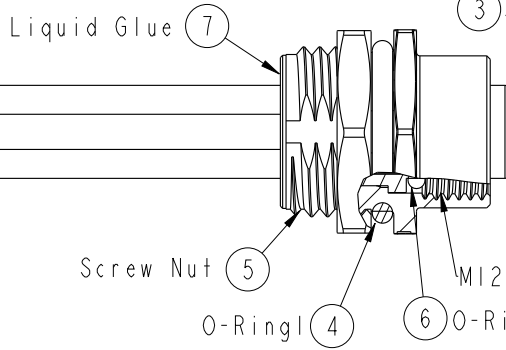
REV.	ECN NO.	DATE	SIGN	DESCRIPTION
A	Initial Release	2015/03/04	Cary	Change Rev. 01 to Rev.A

**ALTW**  
CONFIDENTIAL  
2015-03-04  
R&D DEPT.

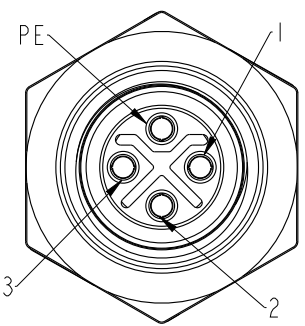


M12S-04PFFS-SH8BXX

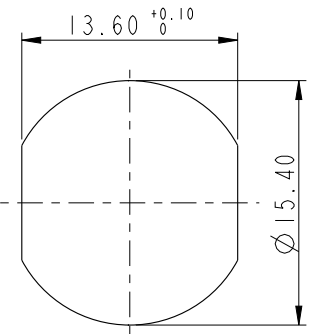
- XX: 150~1500mm
- 15: 150mm
- 30: 300mm
- 50: 500mm
- A0: 1000mm
- A5: 1500mm
- Wire Length(L): 150~1500mm



- Note:
- \*  $\varnothing$  Important Dimension.
  - \* Waterproof Rate: IP68.
  - IP68: 1M Depth Of Water In 24hours.
  - \* Housing: PA66, UL94V-0, Black.
  - \* Female Pin: Copper Alloy, Gold Plated.
  - \* Shield: Zinc Alloy, Nickel Plated.
  - \* Panel Nut: Zinc Alloy, Nickel Plated.
  - \* O-Ring1: Viton, Black.
  - \* O-Ring2: Viton, Green.
  - \* Wire Harness: UL1015 16AWG (1.5mm<sup>2</sup>).
  - \* Rated Voltage: 630V AC.
  - \* Rated Current at 40°C: 12A
  - \* Operation Temperature: -40~85°C.
  - \* For Panel Thickness Max 4.5mm.
  - \* Nut Torque: 4-6 Kgf.cm (0.4~0.6N.m).
  - \* Wire harness Tolerance: 150~300 ±15mm
  - 301~1000 ±20mm
  - Over1000 ±40mm



Pin Assignment  
Front View



Recommended  
Panel Cut-Out

PE	Black	黑
3	Blue	藍
2	White	白
1	Brown	棕
Conn.	Wire Color	
	Pin Out	

UNIT: mm		TITLE M12 S-Code 4Pin Female Type	<h1 style="margin: 0;">Amphenol LTW</h1> <p style="margin: 0;">安費諾亮泰企業股份有限公司</p>	ITEM NO	DRAWN BY	DATE
TOLERANCE .X ±0.25 .XX ±0.1 .XXX ±0.05 ANGLES ±1°		SCALE 2:1 SIZE A4 SHEET 1 OF 1		DWG NO M12S-04PFFS-SH8BXX	CHECKED BY Yu Long	DATE 2015-03-04
		REV. A	WC-REV. A.3	CUSTOMER ALTW	APPROVED BY Jerry	DATE 2015-03-04