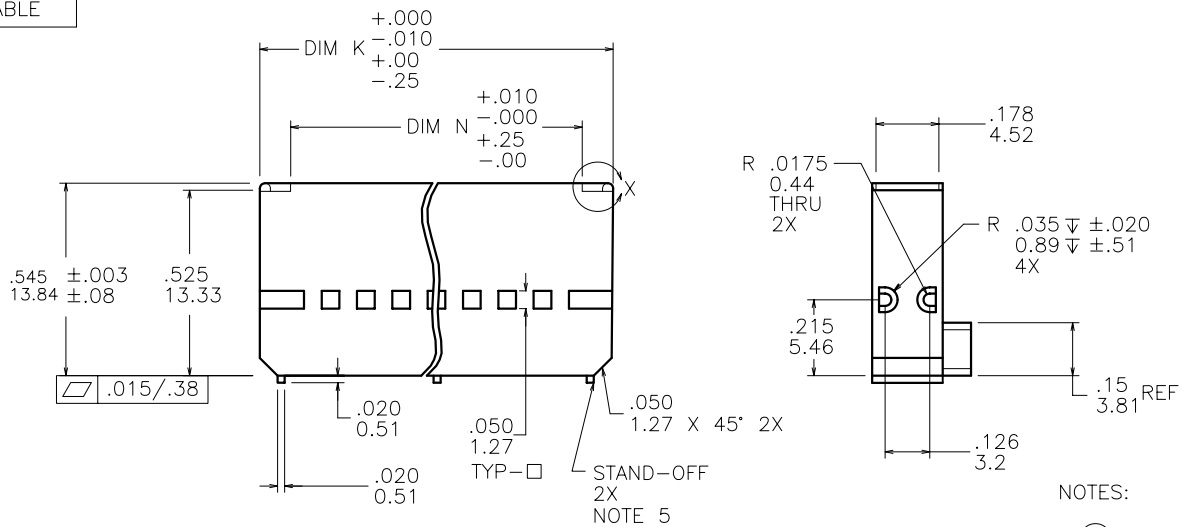


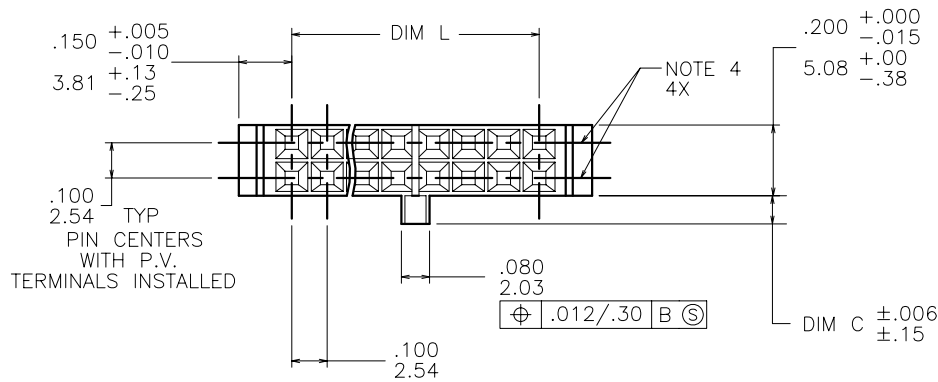
PRODUCT NO.


SEE TABLE



NOTES:

- ① MOLDING MATERIAL: MODIFIED POLYPHENYLENE ETHER, FLAME RETARDANT PER UL-94V-0, COLOR: BLACK.
2. PIN LENGTH TO BE .210/5.33 MIN. RECOMMENDED PIN LENGTH IS .225±.015/5.72±.38.
- ③ RETENTION ROD TO BE INCLUDED WITH MINI ROD HOUSING (QUANTITY 2 PER HSG). RETENTION RODS TO BE TRIMMED AFTER INSERTION.
- ④ END 2 POSITIONS ARE MOLDED CLOSED—BOTH ENDS.
- ⑤ CENTER STAND-OFF ON 2X13 AND LARGER HOUSINGS ONLY.
6. PRODUCT MEETS EUROPEAN UNION DIRECTIVES AND OTHER COUNTRY REGULATIONS AS DESCRIBED IN GS-22-008.
7. THIS PRODUCT IS NOT INTENDED TO BE EXPOSED TO MANUFACTURING SOLDER PROCESSES.
8. PRODUCT SPECIFICATION: BUS-12-067.

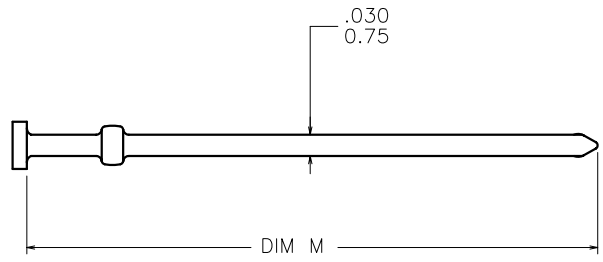


mat'l. code SEE NOTE 1				surface ✓	tolerance	projection ⊕	product family PV HOUSINGS	
ltr	ecr no	dr	date	tolerances unless otherwise specified		INCH/MM	title	
C	C50094	MSC	1995-11-29	angles	linear	XX+01/XX+3	MINI ROD HSG DR POLARIZED WITH LATCHING FEATURE	
D	V91206	BKB	1999-07-06			XXX+005/XXX+13		
E	V03-1336	PJ	2004-01-22	0°±2'		XXXX+0020/XXX+051	scale 2:1	
F	V05-0717	TAB	2005-07-29	dr	A. RAISTRICK	1990-09-18	 sheet 1 of 2 size <b>85855</b> A3 type Product Customer Drawing	
G	V06-0448	HTB	2006-05-23	engr	C. TREXLER	1990-09-18		
H	V07-0565	HTB	2007-08-27	chr	C. TREXLER	1990-09-18		
sheet		revision	H	H				
index		sheet	1	2				

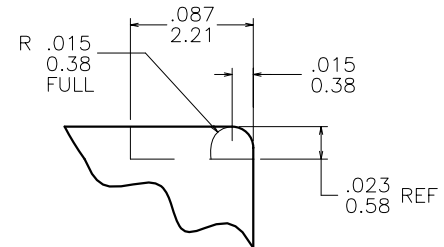


Copyright FCJ

PRODUCT NO.	NO OF USABLE POS	DIM K	DIM L	DIM C	RETENTION ROD P/N	DIM M	DIM N
86855-006LF	2 X 3	.500/12.70	.200/5.08	.080/2.03	89590-001	2.300/58.42	.325/8.26
86855-010LF	2 X 5	.700/17.78	.400/10.16	.080/2.03	89590-001	2.300/58.42	.525/13.34
86855-014LF	2 X 7	.900/22.86	.600/15.24	.080/2.03	89590-001	2.300/58.42	.725/18.42
86855-016LF	2 X 8	1.000/25.40	.700/17.78	.080/2.03	89590-001	2.300/58.42	.825/20.96
86855-020LF	2 X 10	1.200/30.48	.900/22.86	.080/2.03	89590-001	2.300/58.42	1.025/26.04
86855-024LF	2 X 12	1.400/35.56	1.100/27.94	.080/2.03	89590-001	2.300/58.42	1.225/31.12
86855-026LF	2 X 13	1.500/38.10	1.200/30.48	.080/2.03	89590-001	2.300/58.42	1.325/33.66
86855-030LF	2 X 15	1.700/43.18	1.400/35.56	.080/2.03	89590-001	2.300/58.42	1.525/38.74
86855-034LF	2 X 17	1.900/48.26	1.600/40.64	.080/2.03	89590-002	4.650/118.11	1.725/43.82
86855-040LF	2 X 20	2.200/55.88	1.900/48.26	.080/2.03	89590-002	4.650/118.11	2.025/51.44
86855-044LF	2 X 22	2.400/60.96	2.100/53.34	.080/2.03	89590-002	4.650/118.11	2.225/56.52
86855-050LF	2 X 25	2.700/68.58	2.400/60.96	.080/2.03	89590-002	4.650/118.11	2.525/64.14
86855-060LF	2 X 30	3.200/81.28	2.900/73.66	.080/2.03	89590-002	4.650/118.11	3.025/76.84



RETENTION ROD SEE NOTE 3



VIEW X  
SCALE: 8:1

mat'l. code SEE NOTE 1		surface ✓	tolerance tolerances unless otherwise specified	projection ⊕	product family PV HOUSINGS
ltr	ecr no	dr	date	INCH/MM	title MINI ROD HSG DR POLARIZED WITH LATCHING FEATURE
H				linear	scale 2:1
				0°±2'	sheet 2 of 2 size
		dr	A. RAISTRICK	1990-09-18	dwg no 85855
		engr	C. TREXLER	1990-09-18	sheet 2 of 2 size A3
		chr	C. TREXLER	1990-09-18	type Product Customer Drawing
		appd	C. TREXLER	1990-09-18	
sheet index	revision sheet				



Copyright FCJ